

Opening



CAPSI

100
A N S
ADLER



1910 Creation of the company



1929 A. ADLER



1976 Patent of the Isodouche hinge
1978 Development of the Saloon model



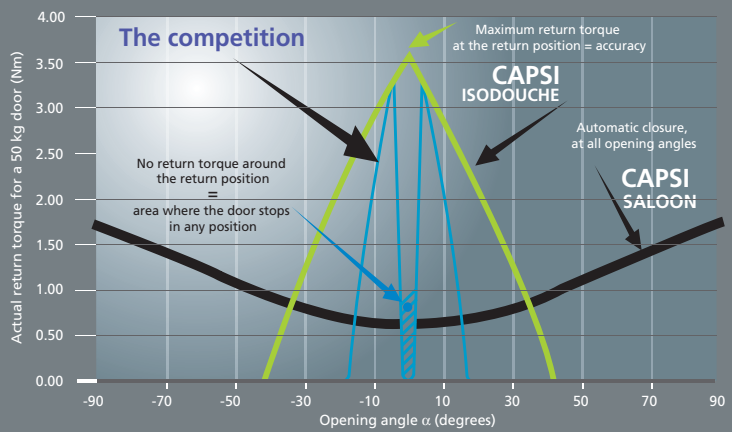
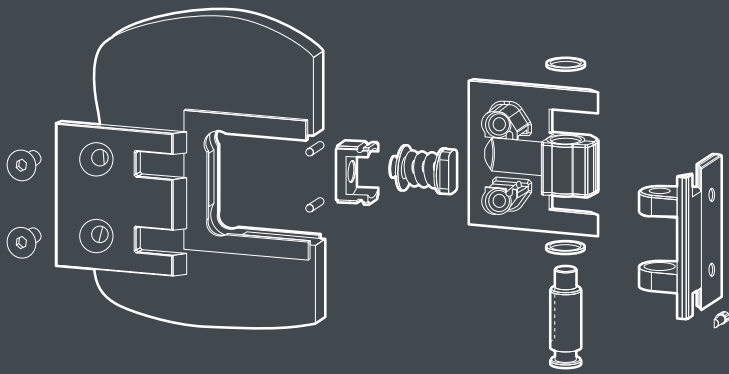
1983 Patent of the selective blocking hinge



1997 Patent of the Venus hinge with ring-type recall system

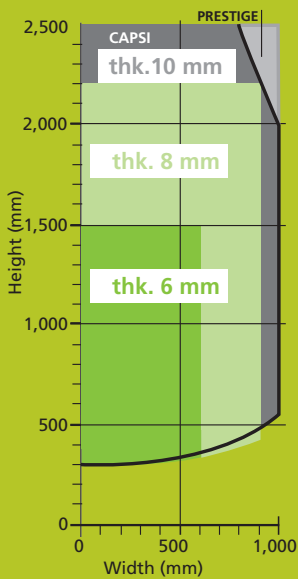


2006 Patent of the precision automatic-return Capsi hinge



30 years after the ISODOUCHE patent, ADLER pushes back the limits of precision with CAPSI.

Admissible door dimensions on a pair of hinges



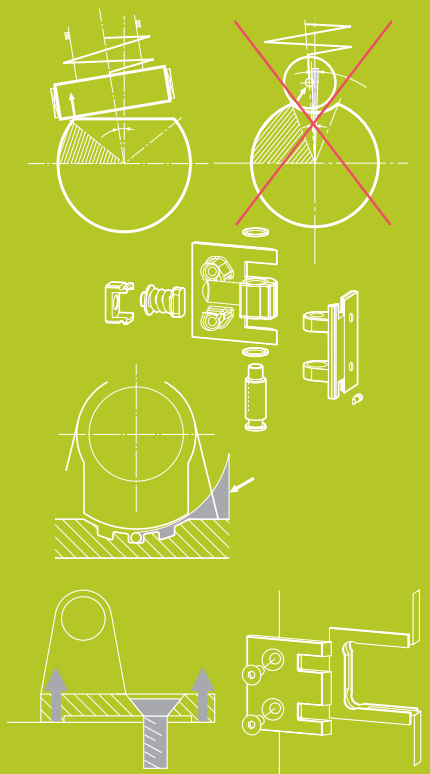
An efficient system: "Closing accuracy within a millimetre at the end of the door".

CAPSI, patented prestige mechanics: a compact and rigid linear guide, various material solutions adapted to every need: very heavy doors (100 kg), high-precision return, endurance*.

(* tested 200,000 cycles with a 50 kg door)

A very compact design offering a satisfactory seal without penalising closure accuracy: Dynamic seal principle: reduced gap, depression and drainage grooves...

Miniaturisation of the hinge owing to optimised distribution of mounting points on the glass and wall. Original shimming method (cork - butyl or 100%-recyclable rigid transparent shims).



Transparent constructions

Multiple applications

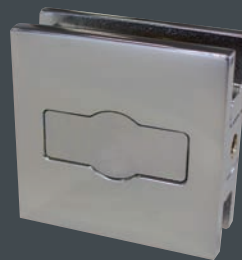
Minimal shapes

Heavy doors

Ergonomics

For shower stalls,

Separating doors, Display cases...



Accuracy*

Pure mechanics

Optimised design

Exceptional materials

Adjustable return position

Sealing

* Concept patented by ADLER SAS



E-mail: commercial@adler-sa.com

Site: www.adler-sa.fr

Tel.: +33 (0)1 60 03 62 00 • Fax: +33 (0)1 60 03 62 49

Z.A. La Barogne • 9, Av. des 22 Arpents • 77230 Moussy le Neuf • France

SAS with capital of 2,014,000 euros • Meaux Corporate and Trade Register