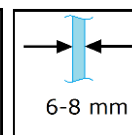
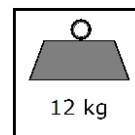
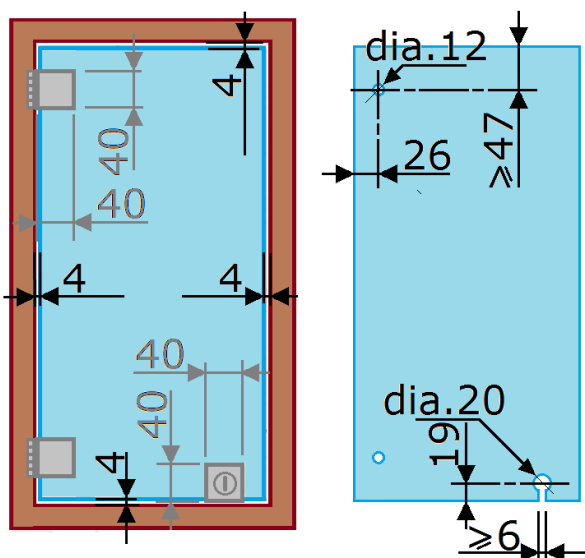


Flush-mounted panel with square hinges - CLASSIQUE LIGNE



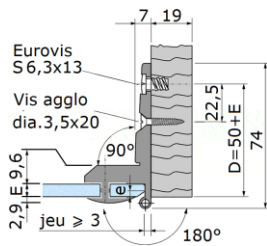
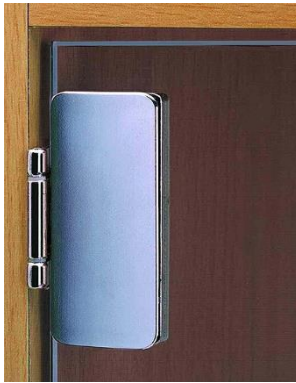
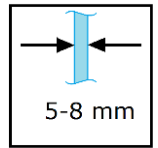
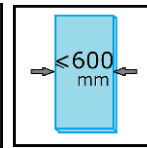
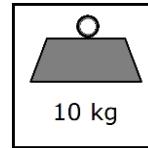
Cork wedges and screws included



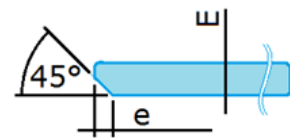
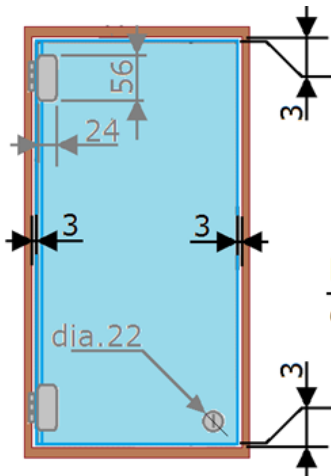
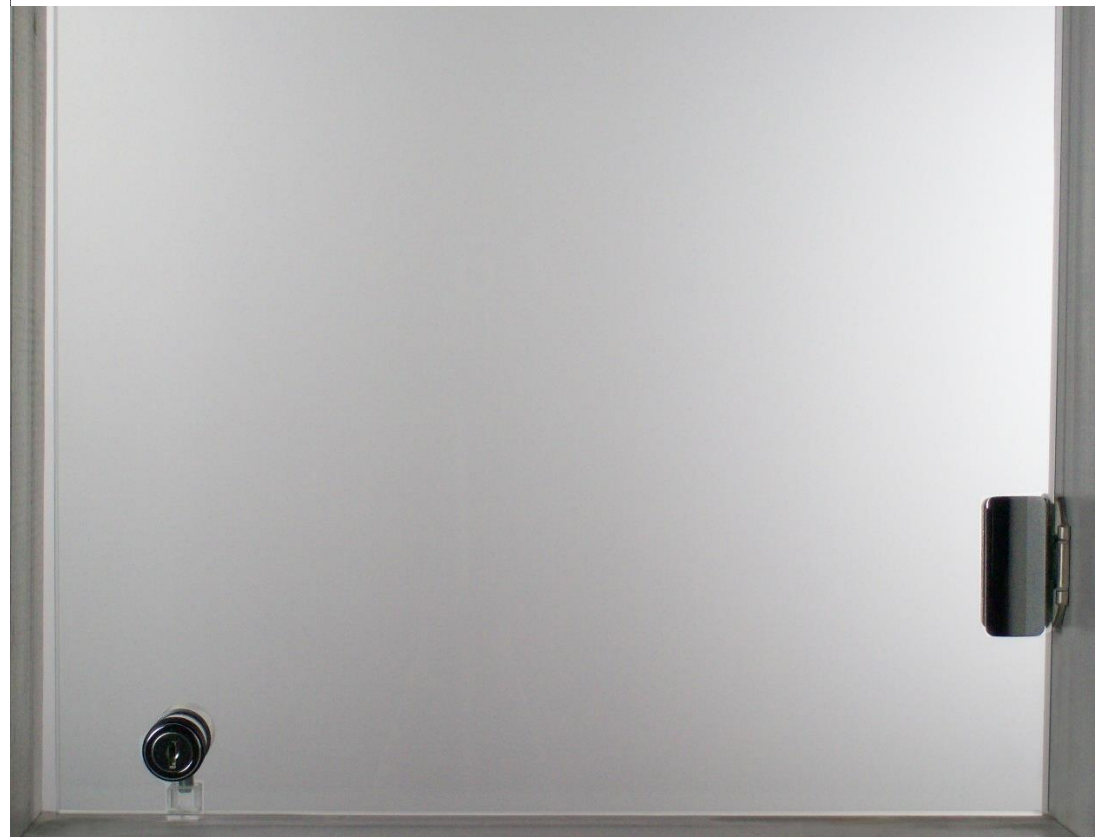
Components for showcase	Chromed	Mat chromed
Hinges for 6-8 mm glass	502 50V	502 51W
Lock n°1 without key	63803B	63804C
Key	63860P	
Lock with different key numbers	63812M	63813N

Flush-mounted panel – Hinge

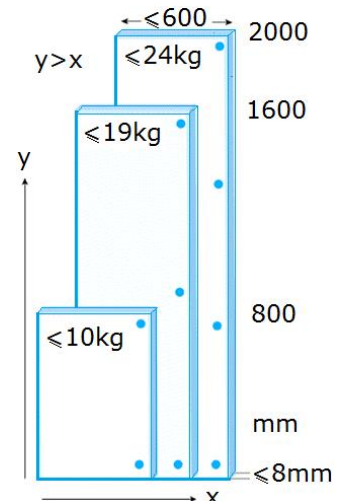
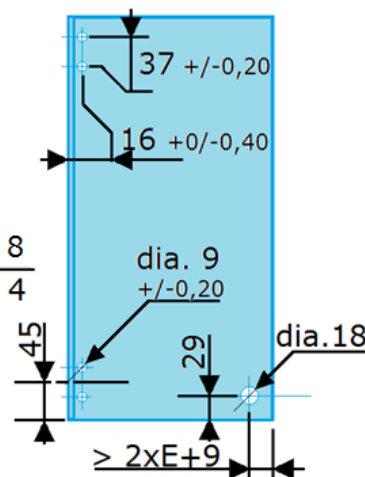
PRÀMETA



Counterplate hinge
plastic wedges included



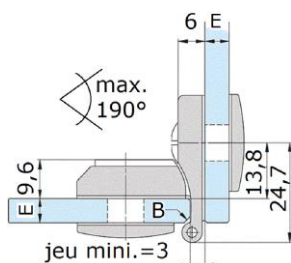
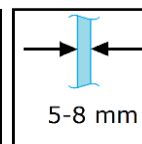
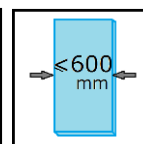
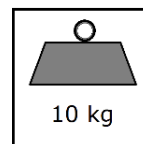
E (mm)	5	6	7	8
e (mm)	1	2	3	4



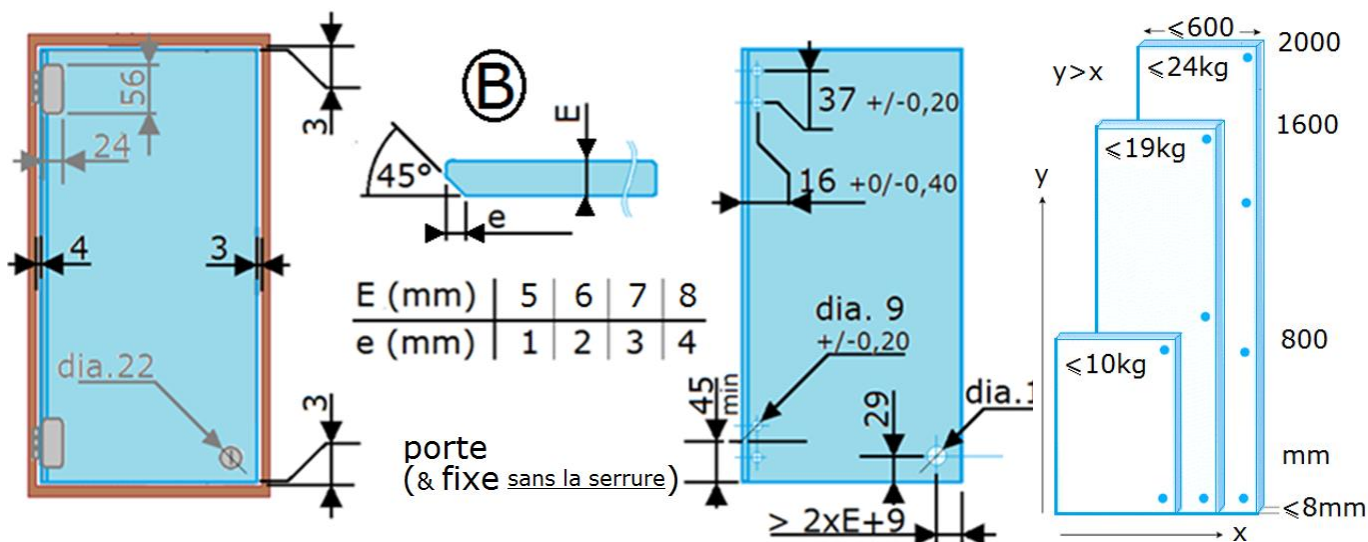
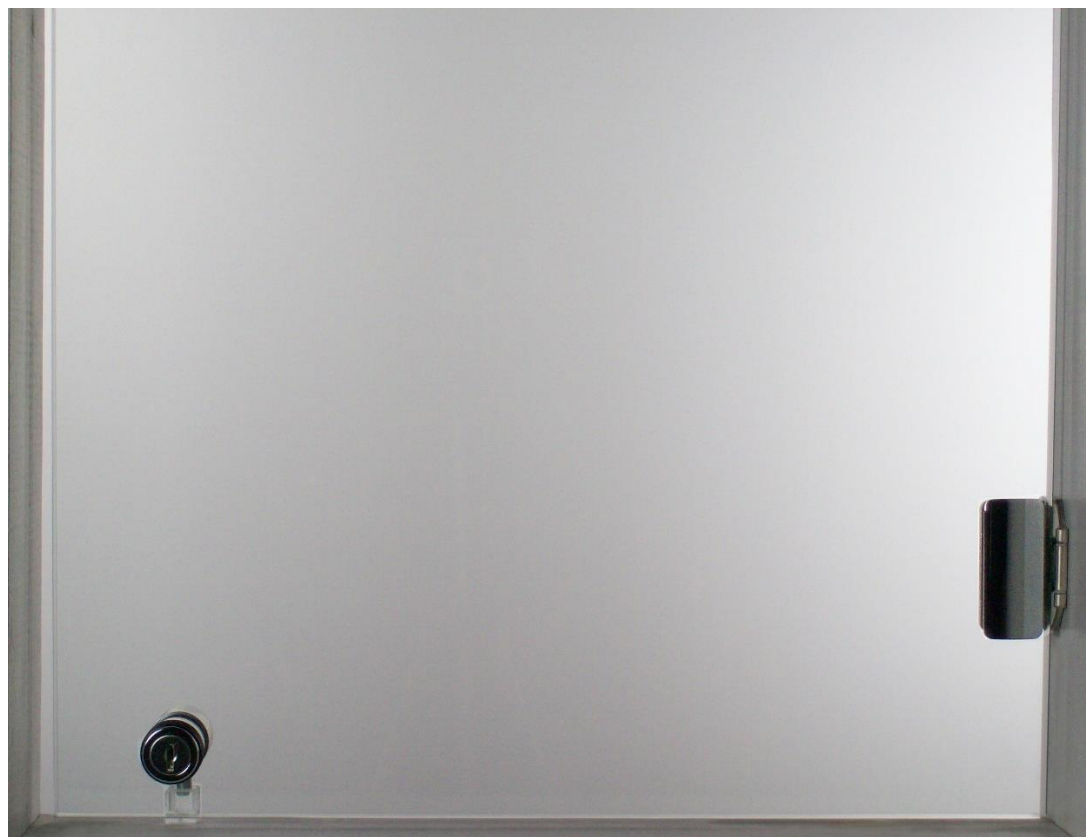
Components for showcase	Chromed	Polished anodised	Nickel satin
Hinge for flush-mounted opening panel with 3D adjustment : $\pm 1.5\text{mm}$, deepness $\pm 2\text{mm}$, lateral 2mm	639 25K		63926L
Lock n°1 without key		638 27C	
Key		638 60P	

Flush-mounted panel – Hinge

PRAMETA

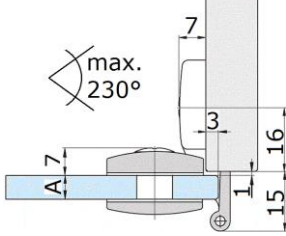
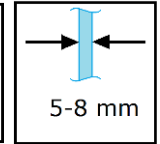
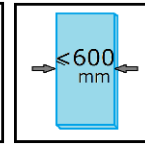
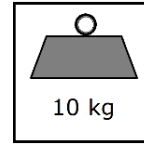


Counterplate hinge
plastic wedges included.

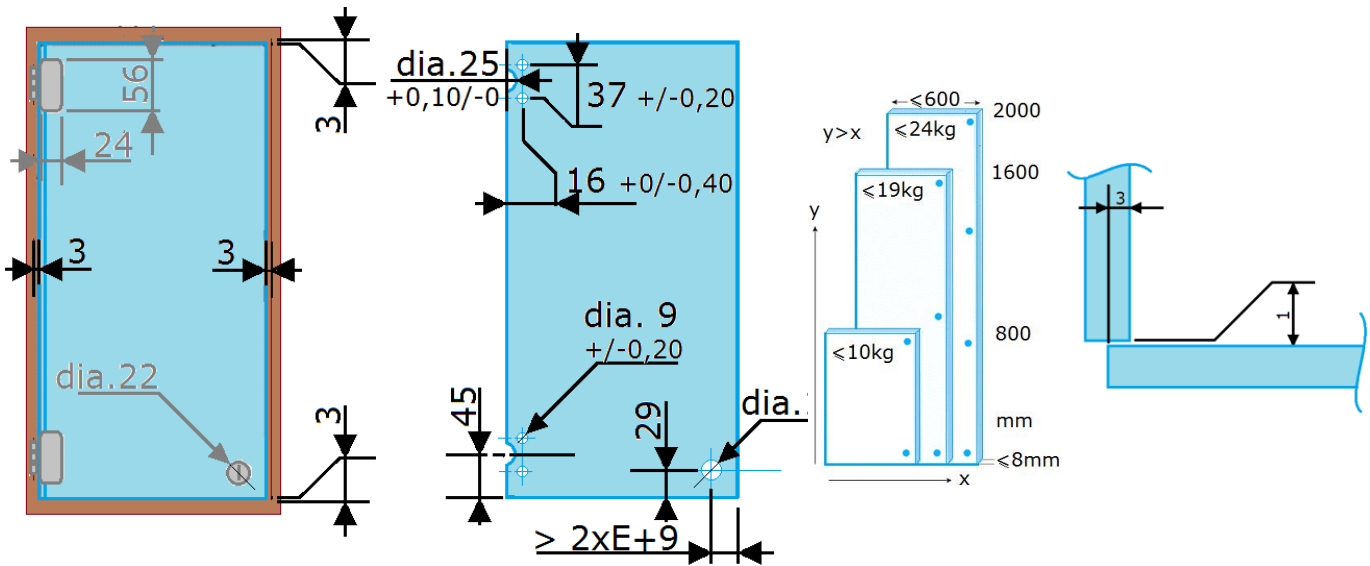


Components for showcase	Chromed	Polish anodised	Nickel satin
Hinge for flush-mounted panel with 3D adjustment : ±1, side 1 mm	639 23H		639 24J
Adaptation kit for mounting gl/gl hinges for 5-8 mm glass 639 23H/24J/27M/28N	639 29P		639 30Q
Lock n°1 without key		638 27C	
Key		638 60P	

Adjustable surface-mounted opening panel - 3mm frame surface coverage

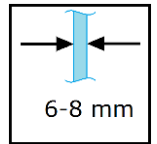
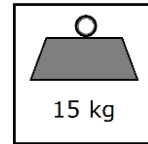


Counterplate hinge plastic wedges included.

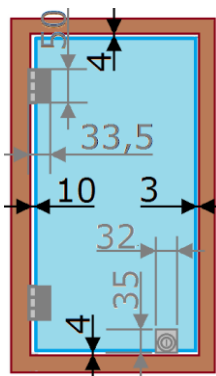


Components for showcase	Chromed	Polish anodised	Nickel satin
Adjustable hinge for surface-mounted opening panel: height ± 1 , side 1 mm – for 5 to 8 mm glass	639 27M		639 28N
Lock n°1 without key		638 27C	
Key		638 60P	

Flush-mounted opening panel without notch - Regular hinges with patented pressure tightening screws **ADLER**

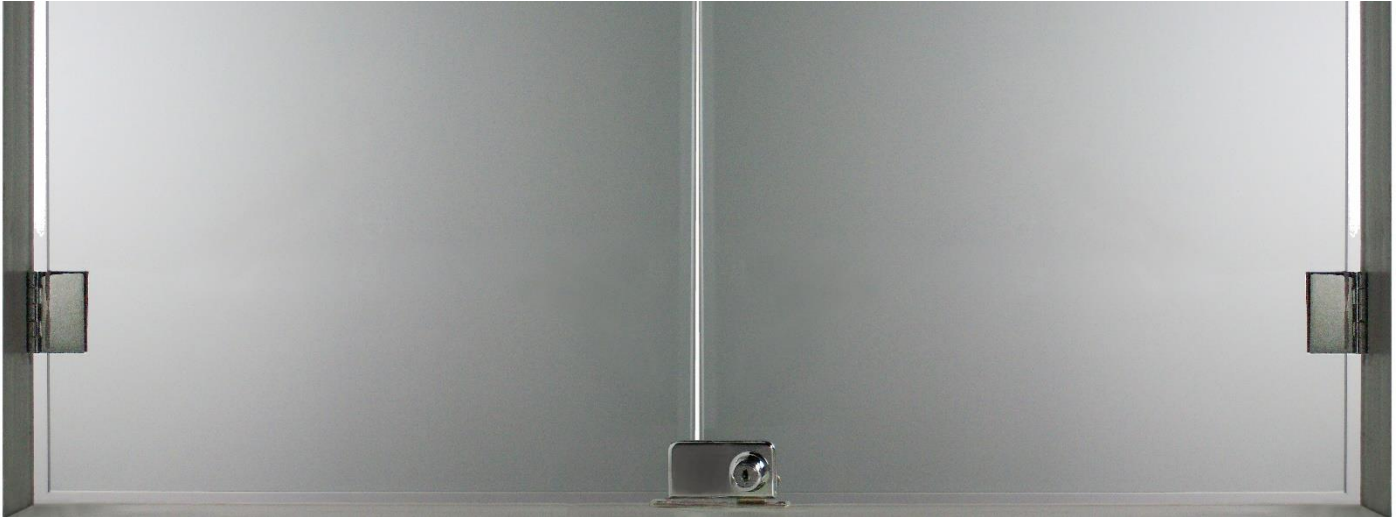
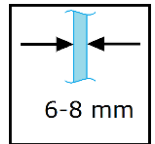
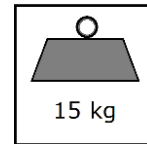


Strike plate and 2 keys included

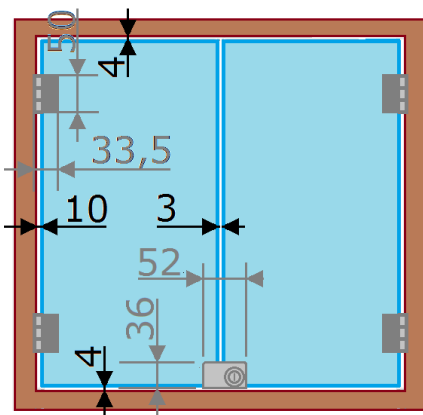


Components for showcase	Height mm	Chromed	Mat chromed
Hinge for 6-8 mm glass	50	500 51D	500 55J
	25	500 53G	500 56K
Lock n°1 without notch		639 84Y	639 85Z
Lock with different key numbers		639 78S	

**Flush-mounted opening panel without notch -
 Double door with single locking for both doors
 Rectangular brass hinges with patented
 pressure tightening screws **ADLER****

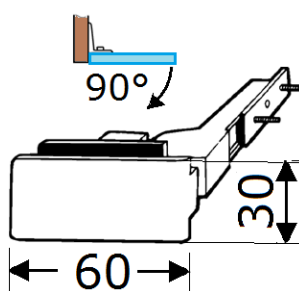
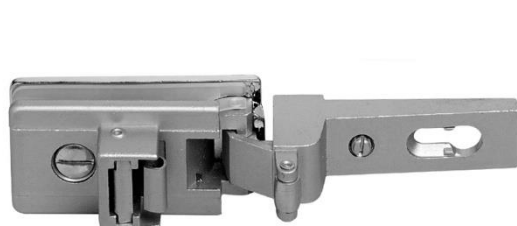
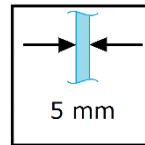
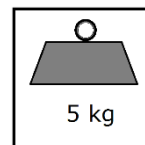


Strike plate and 2 keys included

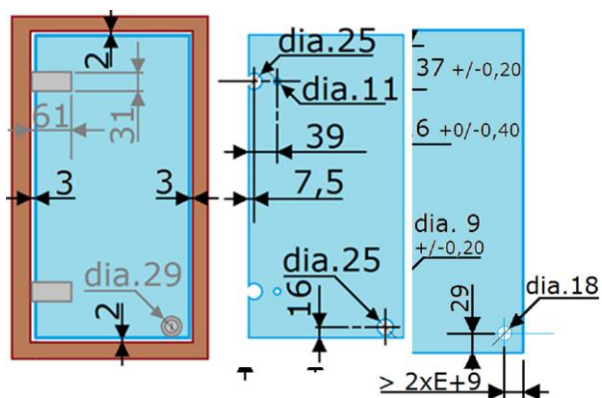


Components for showcase	Height mm	chromed	Mat chromed
Hinge for 6-8 mm glass	50	500 51D	500 55J
	25	500 53G	500 56K
Lock n°1 without notch for double door		639 86A	

**Flush-mounted door –
Horizontal and rectangular hinge
ADLER SELECTION.**

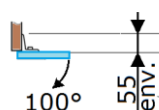
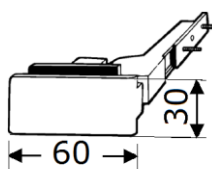
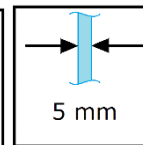
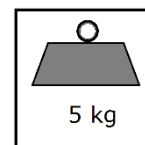


2 keys included



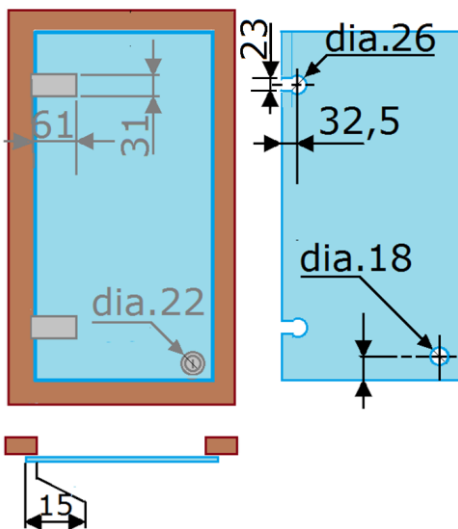
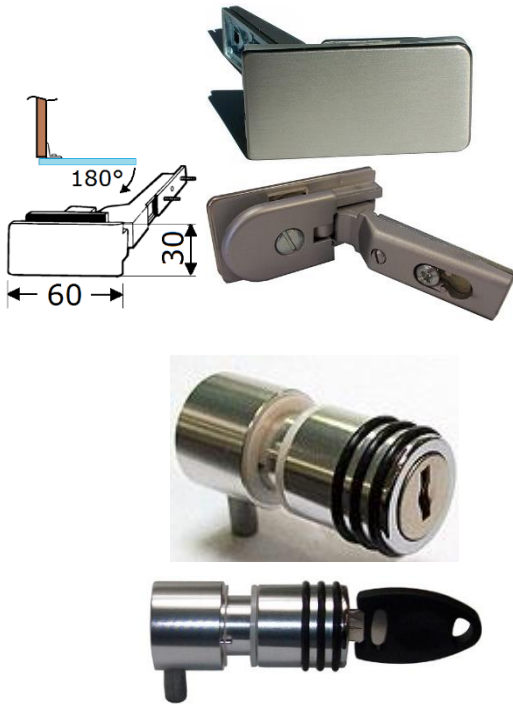
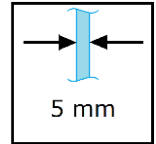
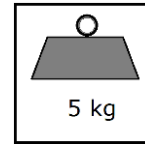
Components for showcase	Nickel satin
Hinge for 5 mm glass	640 35D
Lock n°1 without key	640 56B
key	640 57C

Surface-mounted panel –
 Rectangular hinge / 7.5mm surface coverage
ADLER SELECTION



	Satin nickel
Hinge for 5 mm glass	640 39J
Lock with different key numbers	638 31H

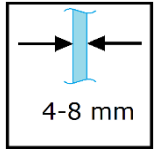
**Surface-mounted panel –
Rectangular hinge / 15mm surface
coverage
ADLER SELECTION**



Components for showcase	Nickel satin
Hinge for 5 mm glass	640 39J
Lock n°1 without key	638 28D
Key	638 60P
Lock with different key numbers	63831H

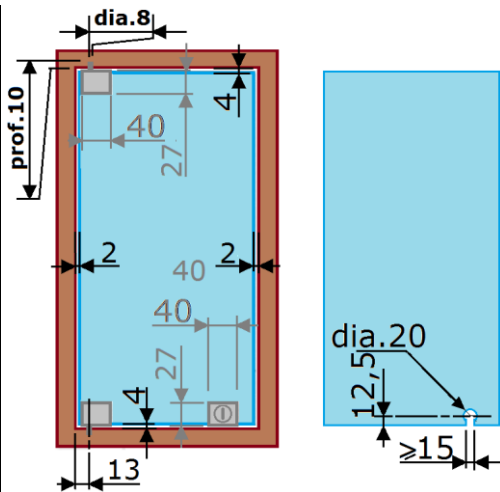
Pivot hinge without notch with patented tightening screws

ADLER



Thickness	Wid. max
4	930 mm
5	830 mm
6	760 mm
8	650 mm

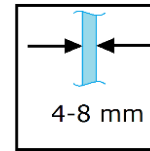
Maximum width of the gate depending on glass thickness



Components for showcase	Chromed	Mat chromed
Pivot Hinge for 4-8 mm glass	630 29L	630 72H
Lock n°1 without key	638 00Y	638 01Z
key	638 60P	
Lock with different key numbers	638 09J	638 10K

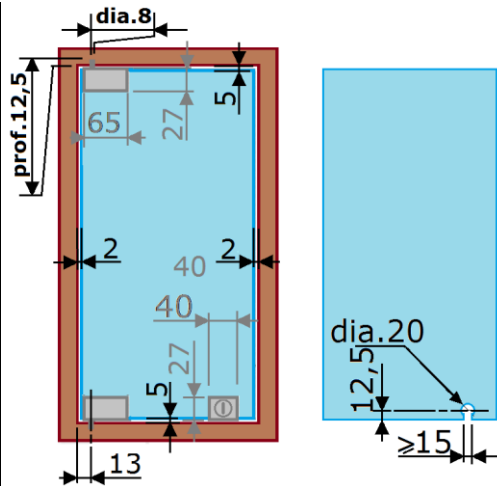
Pivot hinge without notch with patented tightening screws for wide doors

ADLER



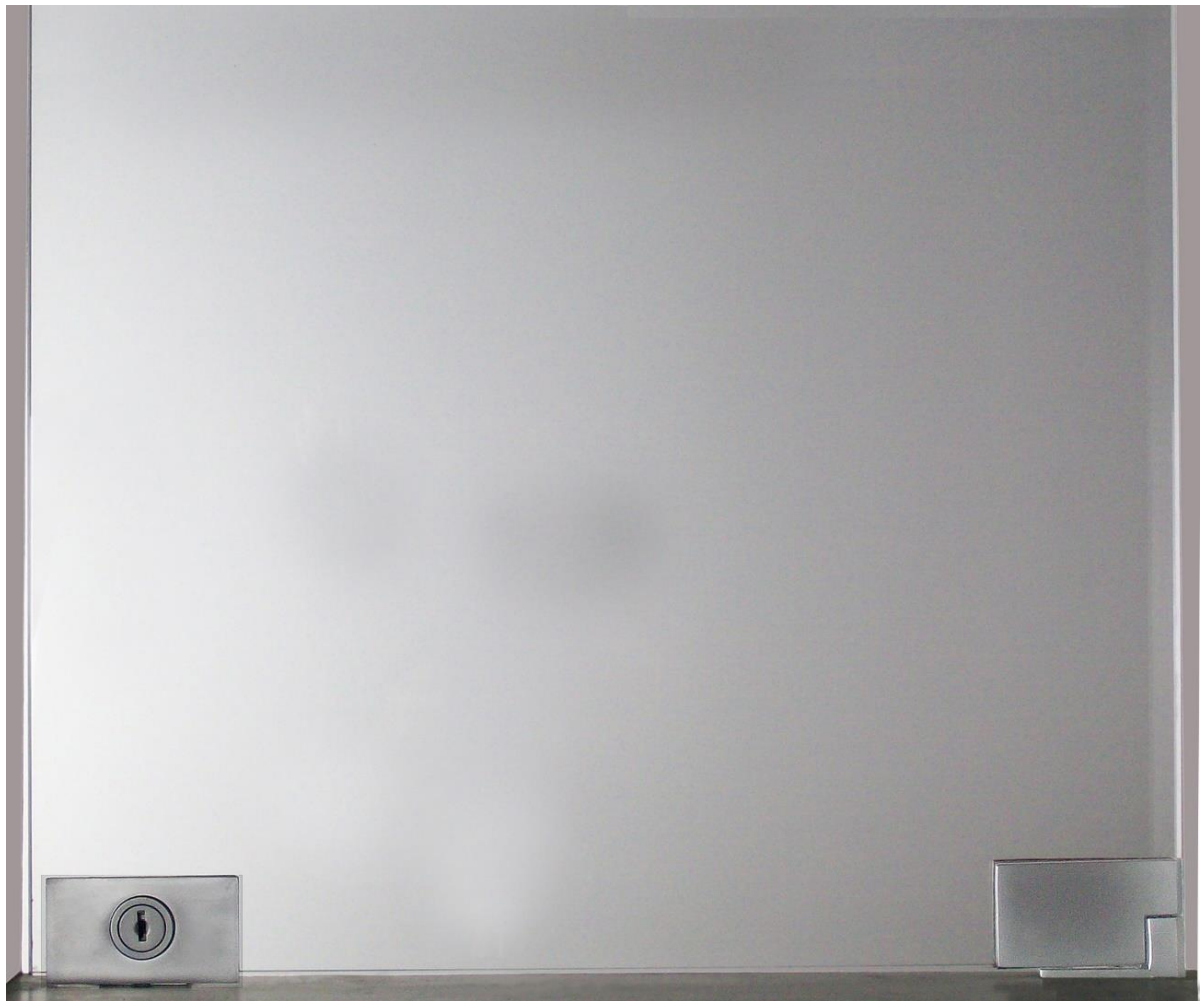
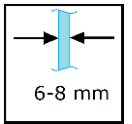
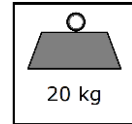
Thickness	Wid. max
4	1.185 mm
5	1.060 mm
6	965 mm
8	835 mm

Maximum width of the gate depending on glass thickness



Components for showcase	Chromed	Mat chromed
Pivot hinge for 4-8 mm glass	630 15N	630 16P
Lock n°1 without key	638 00Y	638 01Z
key	638 60P	
Lock with different key numbers	638 09J	638 10K

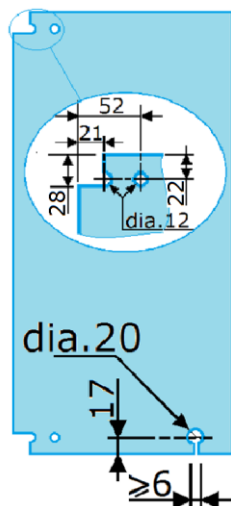
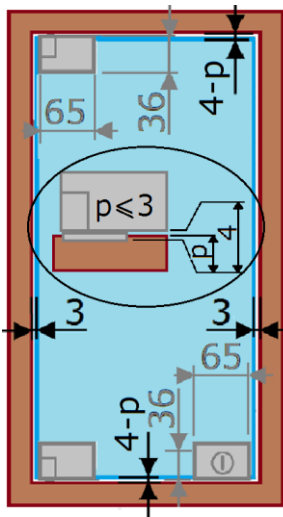
Pivot hinges for notched glass with timber plate **PRESTIGE**



Cork wedges



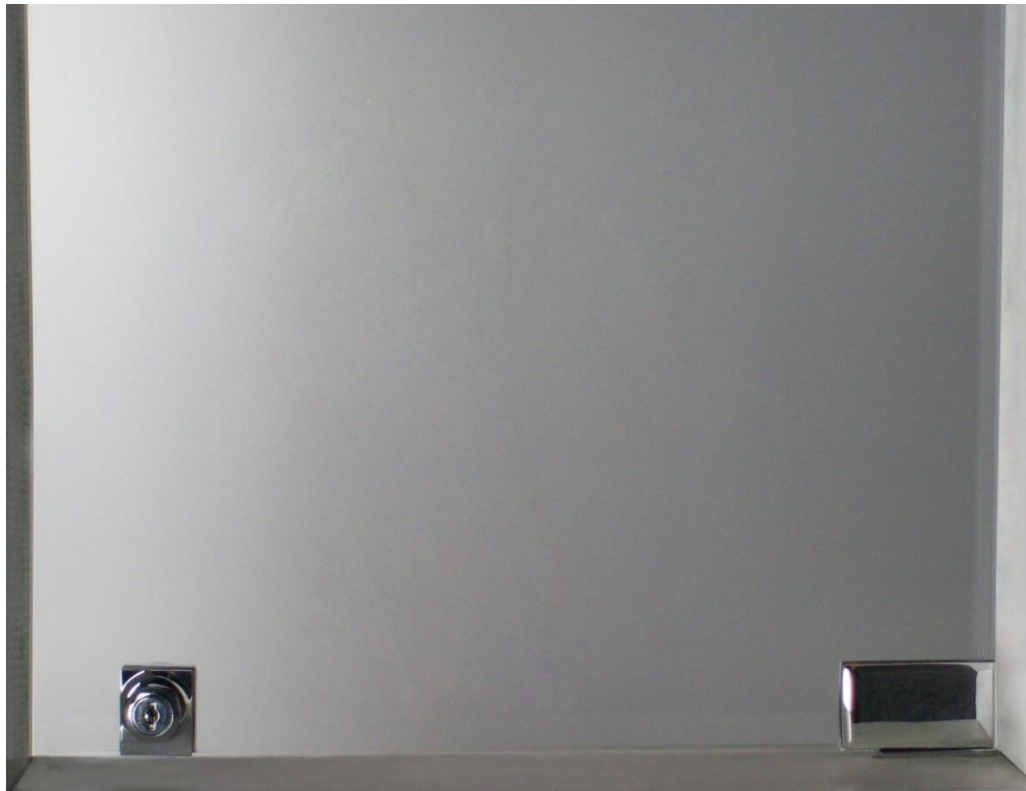
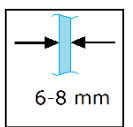
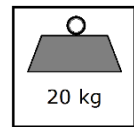
2 keys included with standard cylinder - different key numbers.



Components for showcase	Chromed	Mat chromed
Hinge for 6-8 mm glass	640 11C	
Lock n°1 without key	638 06F	638 07G
Key	638 60P	
Lock with different key numbers	638 15Q	638 16R

Pivot hinges for notched glass with timber plate

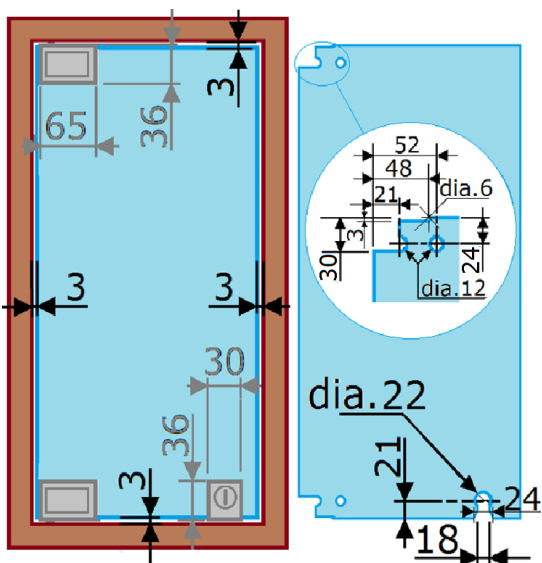
DESIGN : rounded edges.



Cork wedges

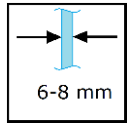
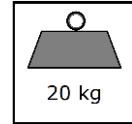


2 keys included



Component for showcase	Chromed	Mat chromed
Pivot hinge with rounded edge for 6-8 mm glass	639 50M	639 51N
Lock n°1	640 44P	640 46R
Lock with different key numbers	640 48T	640 50V

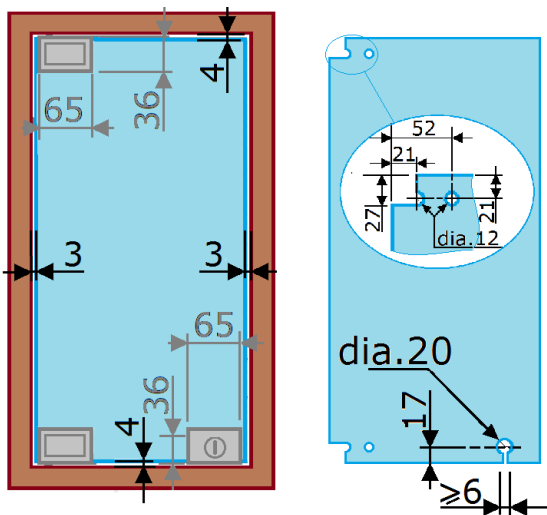
Pivot hinges for notched glass with flushed pivot **DESIGN** : rounded edges.



Cork wedges

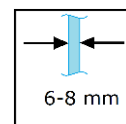
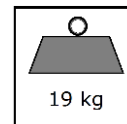


2 keys included with standard cylinder - different key numbers.



Components for showcase	Chromed	Mat chromed
Pivot hinge with rounded edges for 6-8 mm glass	639 53Q	639 54R
Lock n°1 without key	638 06F	638 07G
Key for lock	638 60P	
Lock with different key numbers	638 15Q	638 16R

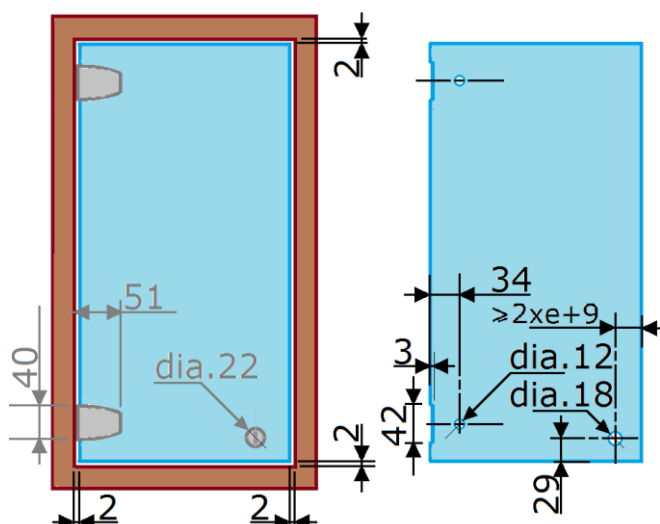
Founded edges and curved surface VENUS hinge and bolt lock knob



cork wedges

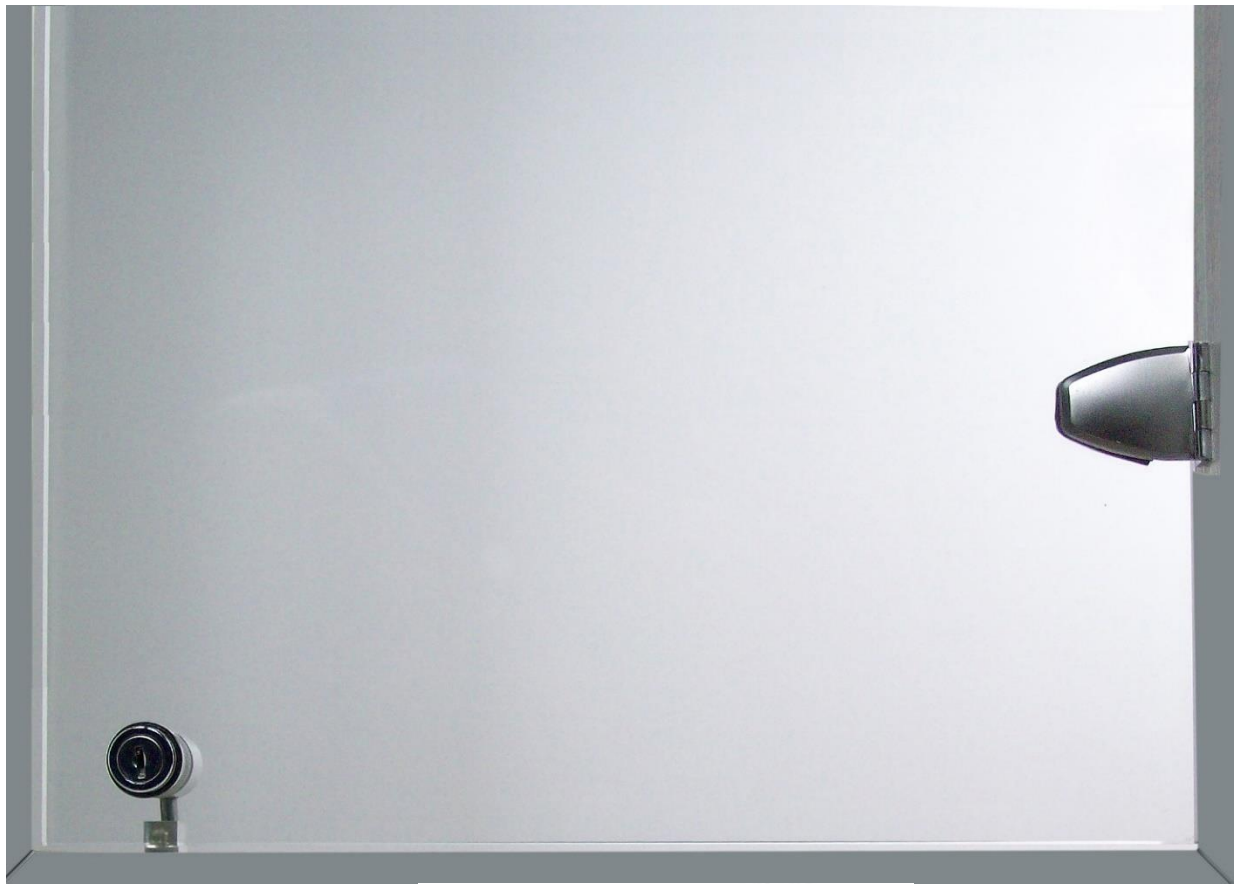
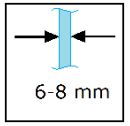
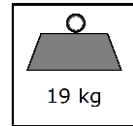


2 keys included

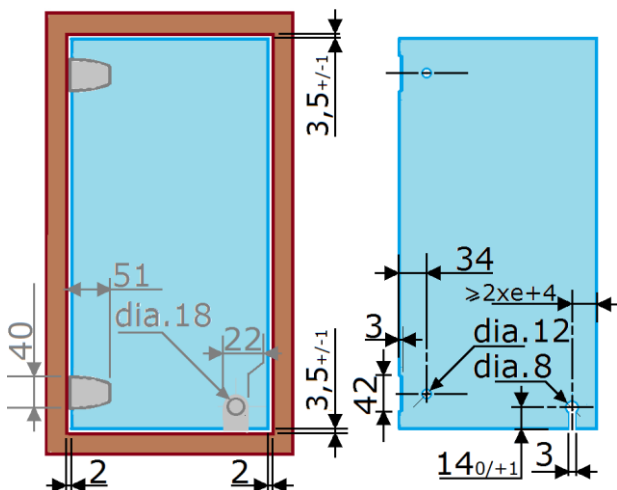
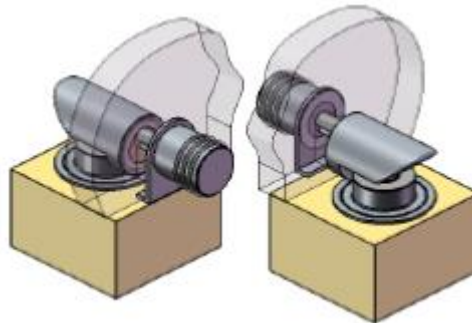


Components for showcase	Chromed	Polish anodised	Mat chromed	Anodised stainless finish
Hinge for 6-8 mm glass	502 36F		502 37G	
Lock n°1 without key		638 27C		
Key		638 60P		
Lock with different key numbers		638 30G		638 31H

Founded edges and curved surface VENUS hinge and electronic access control



Cork wedges



See description on Commercial data sheet

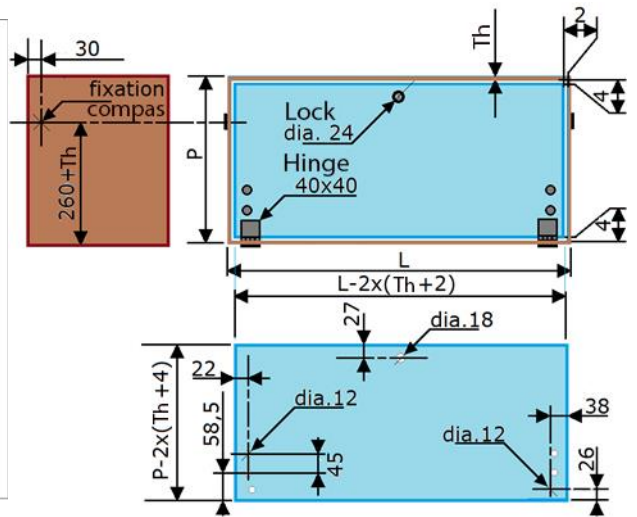
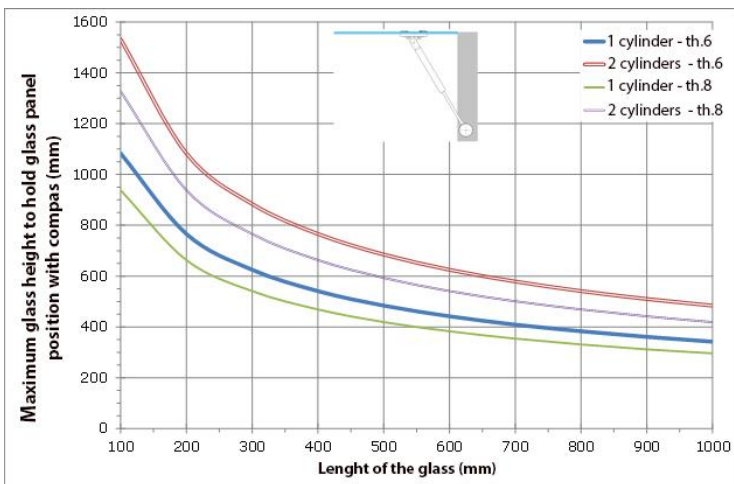
Components for showcase	Chromé	Mat chromed	Anodised stainless finish
Hinges for 6-8mm glass	502 36F	502 37G	
Knob strike			642 80V
Electromagnetic lock	642 74P		
socket	642 81W		

Rounded hinge and curved surface Electromagnetic locks designed for access control: the bolt remains extended (door closed) by default when the power supply is absent and retracts when the locks are powered by 15VDC (600-800 mA). Door closed, the bolt's dry contact in the strike provided reliable and secure closure detection, doing away with the need to install a remote detector.

The closure contact is managed by the electronics of the ALTEA access contrsystem (see 64297P or 64269J).

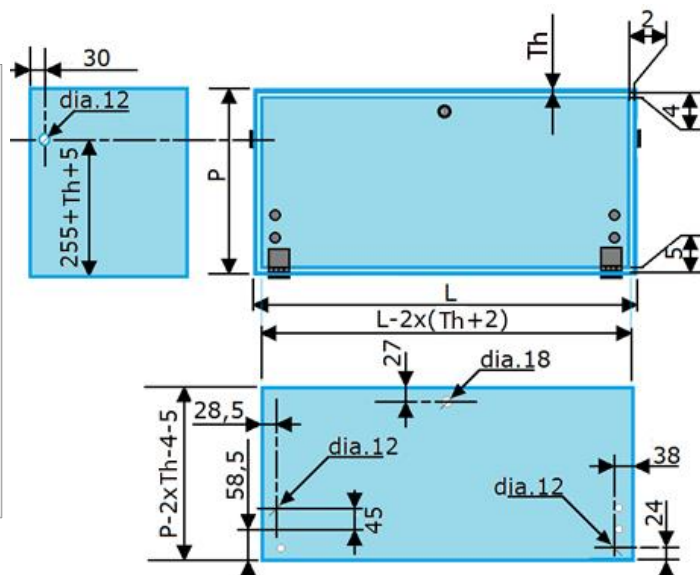
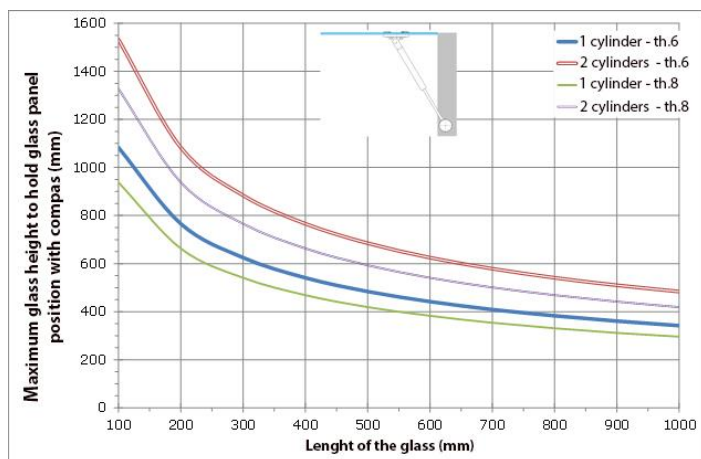
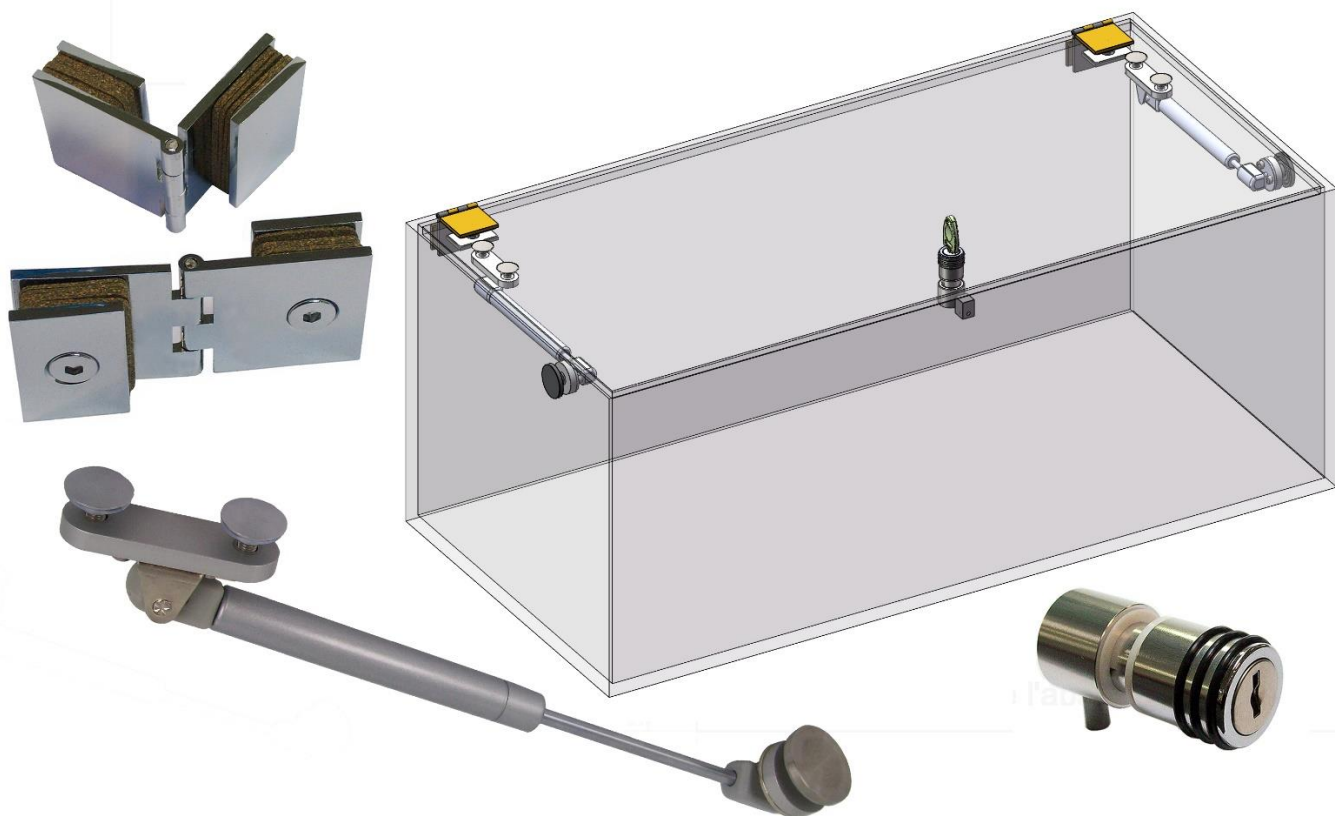
- For swinging or sliding doors (see 603-604), drawers of store showcases or furniture,
- To replace the magnetic suction cups and the door mechanical locks,
- For cash registers

Drop front hinge and gas cylinder compas with wooden frame CLASSIQUE LINE



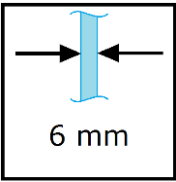
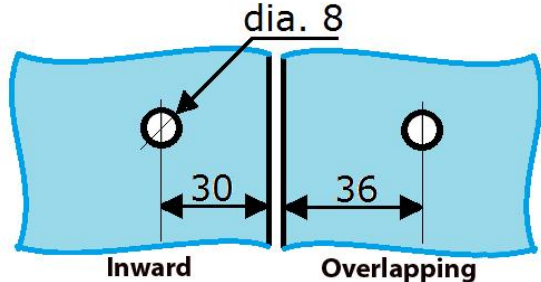


	Chromed	Polished anodised	Mat chromed	Anodised stainless finish
hinges	502 50V		502 51W	
Lock n°1 without key		638 27C		
key	638 60P			
Cam lock with different key numbers		638 30G		638 31H
Gas cylinder compas for glass door			639 90F + 639 91G	

Drop front hinge and gas cylinder compas with glass frame CLASSIQUE LINE

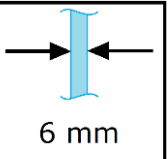



	Polish anodised	Mat chromed	Anodised stainless finish
Hinges		502 60G	
Lock n°1 without key	638 27C		
key		638 60P	
Lock wih different key numbers	638 30G		638 31H
Gas cylinder for glass door		639 90F + 639 91G	


Glass glass fastener **ADLER** family 637

 <p>6 mm</p>	2 fasteners	3 fasteners	 <p>dia. 8</p> <p>30</p> <p>36</p> <p>Inward</p> <p>Overlapping</p>
			
Chromed	637 05V	637 07X	
galvanized	637 13D	637 16H	
gilded	637 06W		

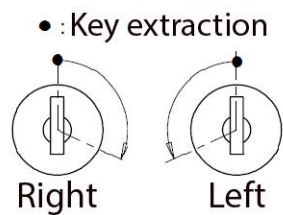
Shelf-brackets

 <p>6 mm</p>	Adjustable	637 02S	
---	------------	---------	---


Came lock cylinders **ADLER**

key		Key N°	Cylinders for showcases - 2000 combinations , dia 18x25						
						Left opening*		Different keys left	
			Chromed	Alu mat	gilded	Chromed	Alu mat	Chromed	Alu mat
638 60P		1	031 11H	031 12J	031 13K	031 71X	031 72Y	031 10G	031 20S
031 09F		2	031 21T	031 22U	031 23V				
031 19R		3	031 31D	031 32F	031 33G				
031 29B		4	031 41Q	031 42R	031 43S				
031 39N		5	031 51A	031 52B	031 53C				
031 49Y		6	031 61M	031 62N					

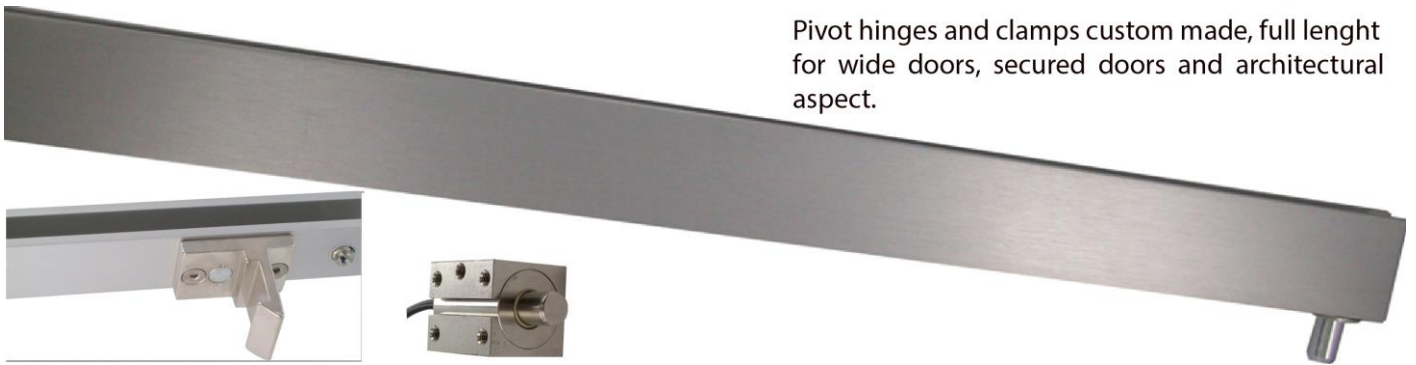
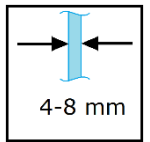
Right and left opening



Kaba security cylinders **ADLER** dia.18x28

	Chromed 641 87U	Mat chromed 641 86T
	Cylinder KABA security with different key numbers	Cylinder KABA security with different key numbers

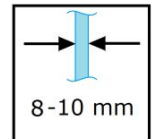
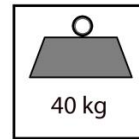
Full length custom made pivot hinge **ADLER**



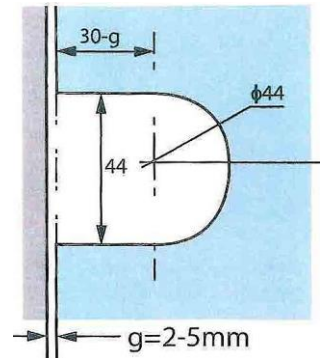
Pivot hinges and clamps custom made, full length for wide doors, secured doors and architectural aspect.

Ref. 629 99 on demande

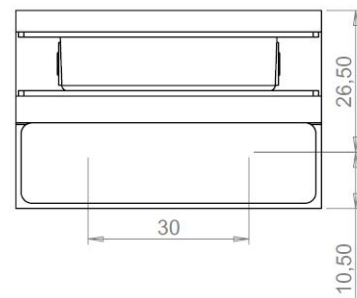
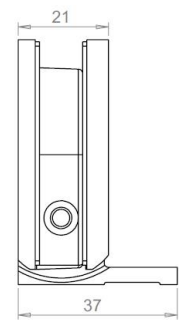
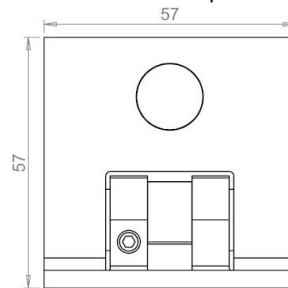
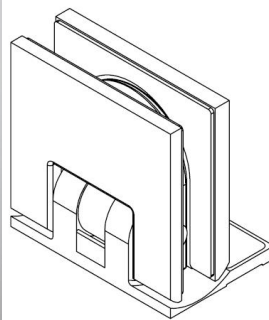
Showcase hinges MINIMA glass to wall 90° ADLER SELECTION



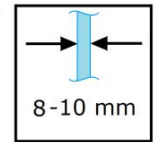
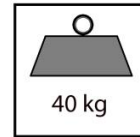
Adjustable glass to wall hinge with 90 degree blocking point



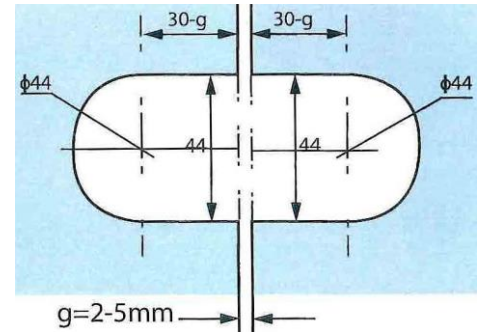
Minima glass to wall 90 degree adjustable showcase hinge
Load capacity : 40kg/pair
Available in brushed stainless steel and polished chrome
For 8-10mm glass complete with screw cover caps



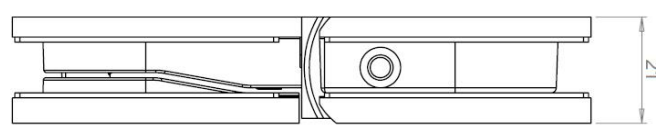
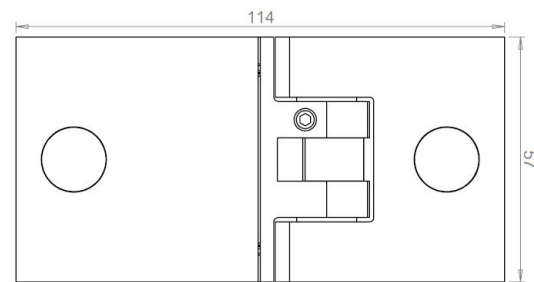
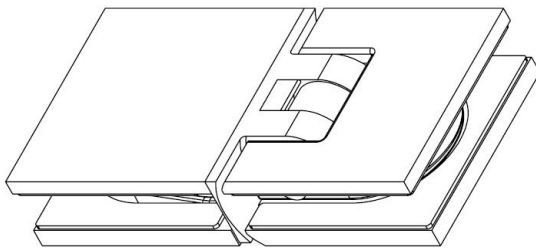
Showcase hinges MINIMA glass to glass 180° ADLER SELECTION



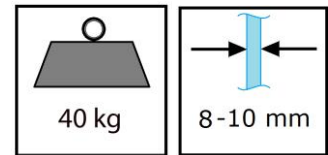
Adjustable glass to glass 180 degree hinge with 90 degree blocking point



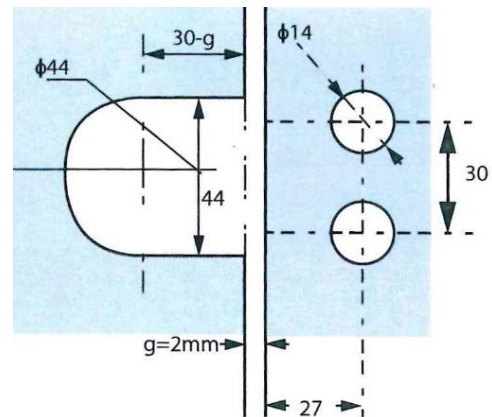
Minima glass to glass 180 degree adjustable showcase hinge
Load capacity : 40kg/pair
Available in brushed stainless steel and polished chrome
For 8-10mm glass complete with screw cover caps



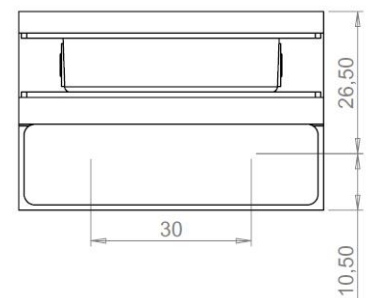
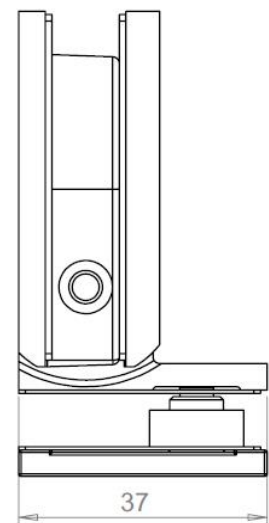
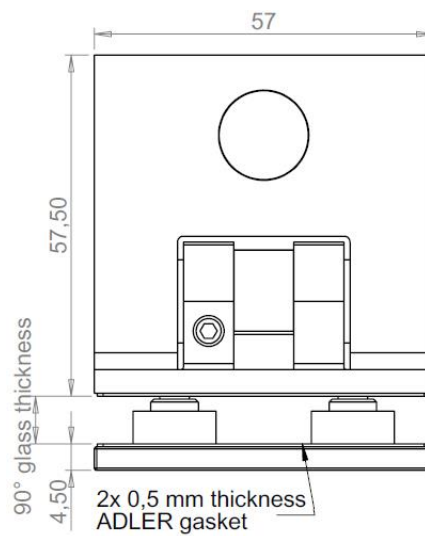
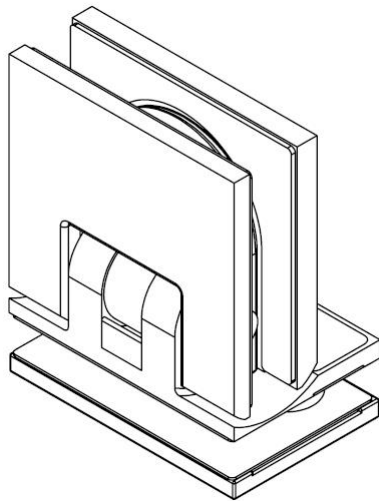
Showcase hinges MINIMA glass to glass 90° ADLER SELECTION



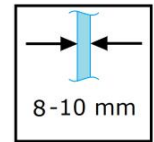
Adjustable glass to glass 90 degree hinge with 90 degree blocking point



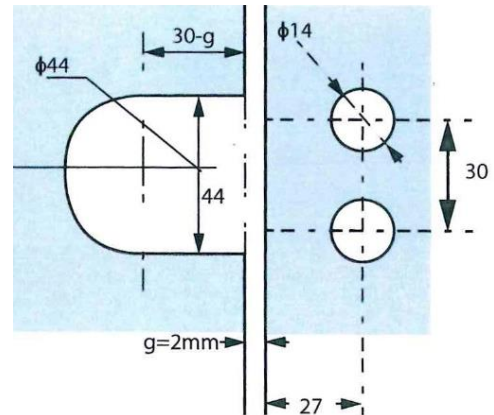
Minima glass to glass 90 degree adjustable showcase hinge
Load capacity : 40kg/pair
Available in brushed stainless steel and polished chrome
For 8-10mm glass complete with screw cover caps



Showcase clamp MINIMA glass to glass 90° ADLER SELECTION



Adjustable glass to glass 90 degree clamp



Minima glass to glass 90 degree adjustable showcase clamp
Available in brushed stainless steel and polished chrome
For 8-10mm glass complete with screw cover caps

