



WALK-IN SHOWER

FT - 8550216-1

<p>All the models shown here have been designed using the following components:</p>	<p>High shine finish: Chrome plated or PSS or anodised bright polished</p>	<p>Brushed finish: Brushed nickel, brushed stainless steel, brushed anodised stainless steel</p>	
	<p>ADSLIDE Ellipse threshold strip with clip and seal</p>		
<p>780 79J + 503 74F</p>		<p>780 80K + 503 75G</p>	
<p>If panel is larger than 1 meter add 1 clip</p>			
<p>503 70A</p>		<p>503 69Z</p>	
	<p>ADSLIDE SECTION FOR WALL MOUNTING</p>		
<p>Height 2 m</p>	<p>Height 4 m</p>	<p>Height 2 m</p>	<p>Height 4 m</p>
<p>780 52C</p>	<p>780 62P</p>	<p>780 53D</p>	<p>780 63Q</p>
<p>Kit for U section for wall mounting: 780 61N</p>			
	<p>Adler Sélection 90° GI/GI. clips in brass, 50 x 50 mm</p>		
<p>505 04W</p>		<p>505 05X (Mat chrome plate)*</p>	
	<p>CAPSI square support bar 20 x 20 mm</p>		
<p>Height 1.40 m</p>	<p>Height 2 m</p>	<p>Height 1.40 m</p>	<p>Height 2 m</p>
<p>698 36K</p>	<p>698 63P</p>	<p>698 37L</p>	<p>698 64Q</p>
<p>+ Optional in-line panel mountings for models 3-4-5-6</p>			
<p>2 x 698 52X</p>		<p>2 x 698 51W</p>	
<p>The models shown here are available in a range of options to give your walk-in shower screen its own distinctive style. Firstly, for models with return walls at 90° connected to each other with clips, various types of clip are available in different sizes, shapes and finishes. If your preference is for a rounded style of clip (THE VENUS MODEL), the Adslide 25 mm-diameter cylindrical support bar may be a better match than the standard Capsi 20 x 20 mm square support bar. When it comes to wall fixings, expert fitters won't need to take advantage of the U section offered as standard to compensate for any errors when taking measurements, uneven wall surfaces or supporting walls that are out of plumb. In this case, affixing the glass panels to the wall with clips that match those used to join the panels at 90° offers an attractive, stylish finish. To achieve this, Adler SAS recommends the use of wall sections, ideally flat sections, to attach glass panels to walls easily and securely and ensure that your installation is watertight.</p>			
<p>The ADLER range provides lots of other options for joining glass panels to each other at 90°:</p>	<p>High shine finish: Chrome plated or polished stainless steel</p>	<p>Brushed finish: Brushed nickel, brushed stainless steel</p>	

		CAPSI clips in aluminium bronze 90° GI/GI., 40 x 40 mm			
		503 11M	503 14Q		
 		CAPSI clips in aluminium bronze 90° GI/GI., 57 x 57 mm			
		503 30H	503 31J		
		646 86M	646 87N		
		VENUS clips in brass, height 40 mm x length 45 mm			
		504 28P	504 30R (Matt chromed plate)*		
		Round support bar in stainless steel			
		698 32J	698 34H		
		+ Optional in-line panel mounting for models 3-4-5-6			
		732 37G	732 33B		
Stylish wall fixings further enhance the effect of a coordinating installation		High shine finish: Chrome plated or polished stainless steel	Brushed finish: Brushed nickel, brushed stainless steel, brushed anodised stainless steel		
		Glue-and-screw wall section: pre-machined 25 x 5 mm aluminium flat section. Simply screw the clips into the section.	780 14R	780 15S	
		+ Watertight wall section in translucent silicone, length 3.50 m 790 62N			
					
505 00S (Chrome plated) 505 01T (Matt chrome plated)*	503 00Z (Chrome plated) 503 01A (Brushed nickel)	503 33L (Chrome plated) 503 34M (Brushed nickel)	504 01K (Chrome plated) 504 20F (Matt chrome plated)*	503 25B (Chrome) 503 26C (Brushed stainless steel)	

*Finish is slightly different from brushed steel.

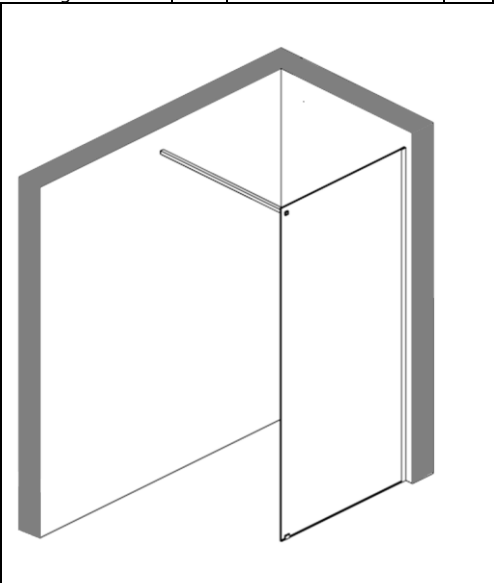
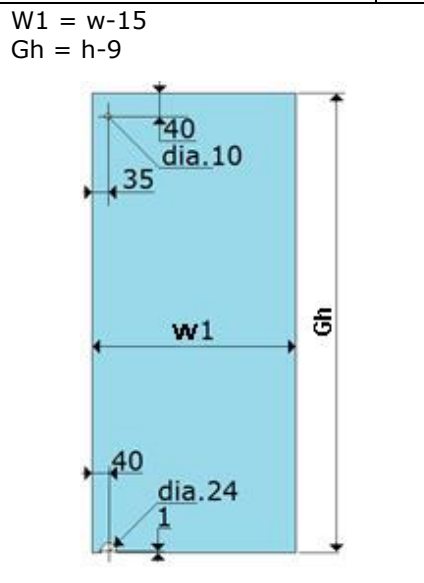
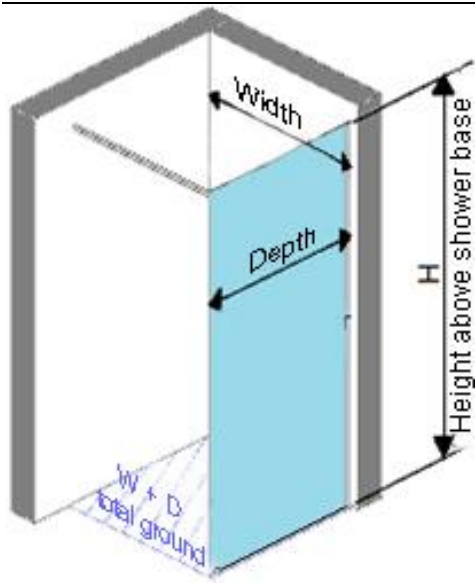
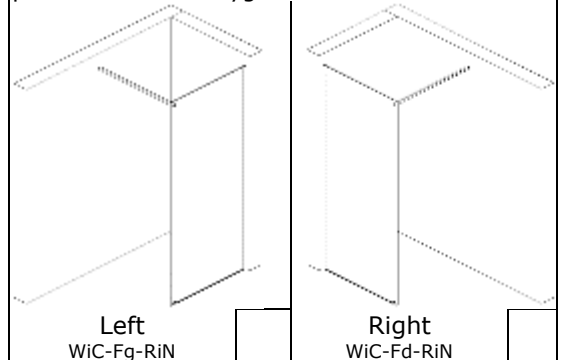
WALK-IN SHOWER



Model: WALK-IN **1**

Short name: **WiC-Fg-RiN**

Description:
 With just one fixed screen, this model is the simplest and most cost-effective walk-in shower. It is suitable for larger spaces where the water won't splash much beyond the shower tray. Adler SAS recommends the use of a slimline U section for wall mounting, which is specially designed to compensate for any errors when taking measurements, out-of-plumb vertical supporting wall surfaces, etc., with a tolerance of +/- 12 mm. The internal-facing side of the section is in direct contact and near-flush with the glass panel. The combination of metal and glass, both proven to resist corrosion, means there is no risk of deterioration over time. The external-facing side includes a near-invisible translucent PVC section which maintains the pressure on the glass to keep it in the section. On the floor, a threshold strip ensures long-lasting performance and hygiene.







0Glass

- ✓ Patented glass manufacturing technology that prevents surface corrosion. No specific maintenance requirements.
- ✓ Permanent protection with a lifetime warranty

Hardware

Wall sections in high shine chrome plate or anodised brushed stainless steel finish:

- ✓ Correct out-of-plumb and uneven wall surfaces;
- ✓

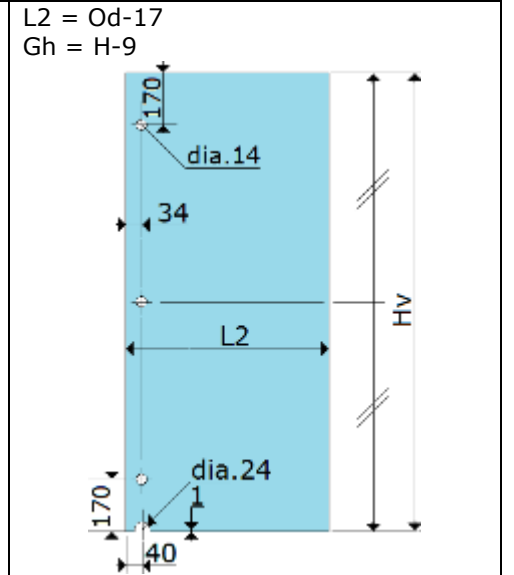
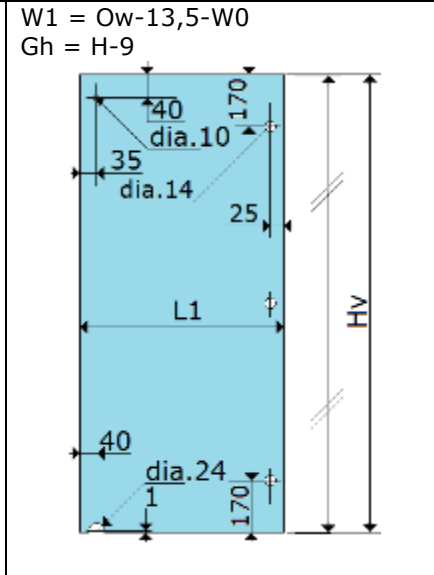
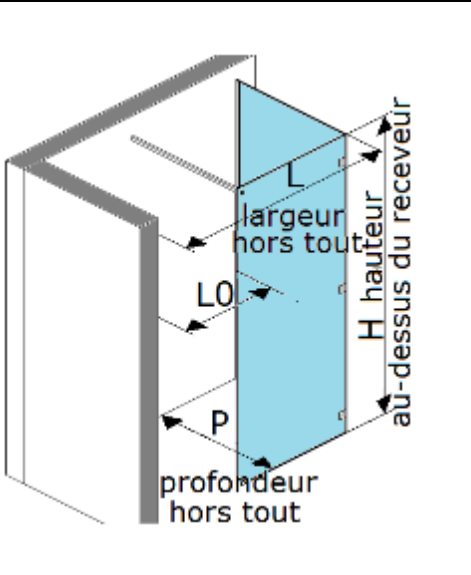
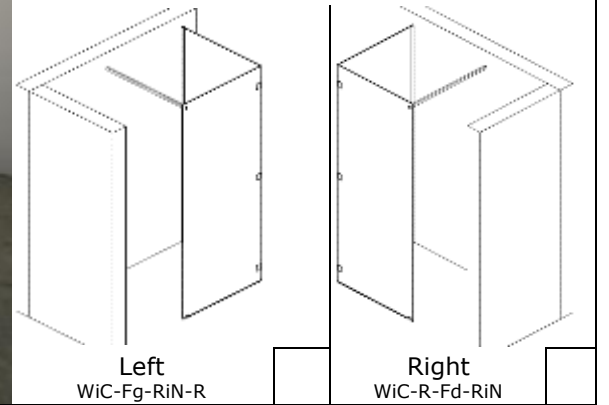
Secured wall mountings. 	Made in France		Easy to maintain		Half-custom and made-to-order		
--	----------------	---	------------------	--	-------------------------------	---	---



Model: WALK-IN **2**

Short name: **WiC-Fg-RiN-R**

Description:
 This corner model takes advantage of layout to reduce the risk of splashing beyond the shower tray, with the supporting wall corner acting as an additional screen. Adler SAS recommends the use of a slimline U section for wall mounting, which is specially designed to compensate for any errors when taking measurements, out-of-plumb vertical supporting wall surfaces, etc., with a tolerance of +/- 12 mm. The internal-facing side of the section is in direct contact and near-flush with the glass panel. The combination of metal and glass, both proven to resist corrosion, means there is no risk of deterioration over time. The external-facing side includes a near-invisible translucent PVC section which maintains the pressure on the glass to keep it in the section. On the floor, a threshold strip ensures long-lasting performance and hygiene.



Glass

- ✓ Patented glass manufacturing technology that prevents surface corrosion. No specific maintenance requirements.
- ✓ Permanent protection with a lifetime warranty

Hardware

Wall sections in high shine chrome plate or anodised brushed stainless steel finish:

- ✓ Correct out-of-plumb and uneven wall surfaces;
- ✓ Secure wall mountings.

	<p>Made in France</p>		<p>Easy to maintain</p>		<p>Half-custom and made-to-order</p>		
--	-----------------------	---	-------------------------	--	--------------------------------------	---	---

WALK-IN SHOWER

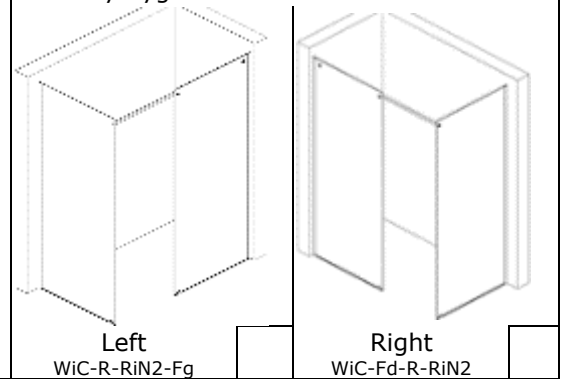


Model: WALK-IN **3**

Short name: **WiC-R-RiN2-Fg**

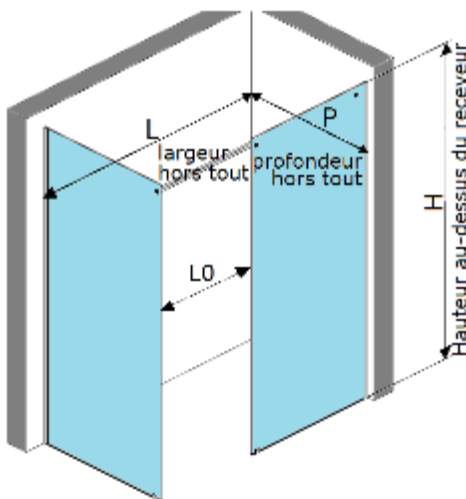
Description:

When it comes to layout, accessibility and speedy, reliable installation, this model offers a number of advantages over other corner models. For fitting, the two U sections that are recommended are simply inserted into the supporting walls once holes have been drilled using the sections as templates. The support bar is not affixed to the wall but screwed directly to the fixed glass panel, saving time and reducing the risk associated with fitting, and vastly improving the reliability, strength and durability of the build. The sections recommended for both walls and floors ensure secure, watertight fitting. The only seal section in contact with water, soap, etc., supports the glass panel and ensures that the threshold strip is perfectly watertight with the screen. Made of silicone, it is completely inert and does not yellow or deteriorate with age. The only other surfaces in contact with water are made of metal or glass, both treated for optimum corrosion resistance. Very low maintenance and fully hygienic.

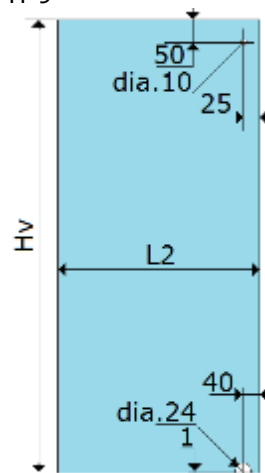


Left
WiC-R-RiN2-Fg

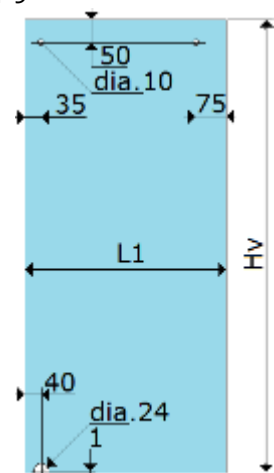
Right
WiC-Fd-R-RiN2



W2 = Od-34
Gh = H-9



W1 = Ow-26-W0
Gh = H-9



Made in France



Easy to maintain



Half-custom and made-to-order



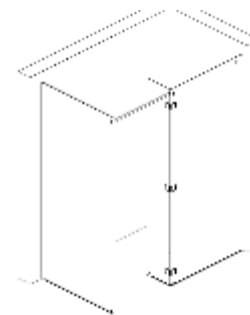


Model: WALK-IN **4**

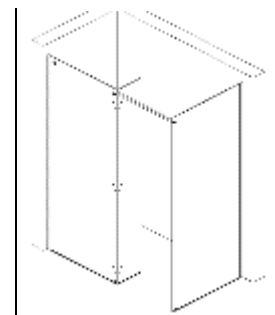
Short name: **WiC-R-RiN2-pR-Fg**

Description:

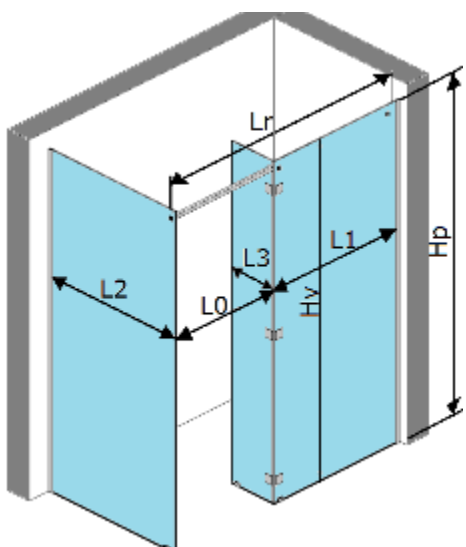
This model is a must for watertight corner showers and speedy, reliable installation. However, it is best used for larger shower cubicles only, for ongoing ease of access. For fitting, the two U sections that are recommended are simply inserted into the supporting walls once holes have been drilled using the sections as templates. The support bar is not affixed to the wall but screwed directly to the fixed glass panel, saving time and reducing the risk associated with fitting, and vastly improving the reliability, strength and durability of the build. The sections recommended for both walls and floors ensure a secure, watertight fit. The only seal section in contact with water, soap, etc. supports the glass panel and ensures that the threshold strip is perfectly watertight with the screen. Made of silicone, it is completely inert and does not yellow or deteriorate with age. The only other surfaces in contact with water are made of metal or glass, both treated for optimum corrosion resistance. Very low maintenance and fully hygienic.



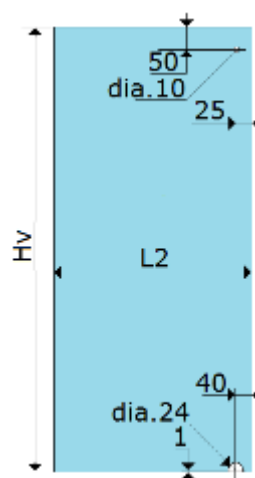
Left
WiC-R-RiN2-pR-Fg



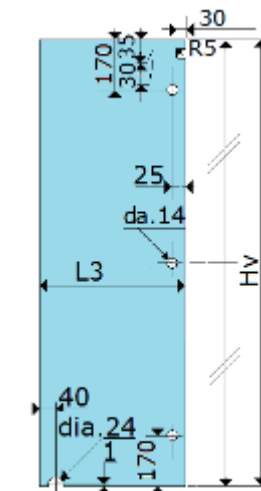
Right
WiC-Fd-pR-R-RiN2



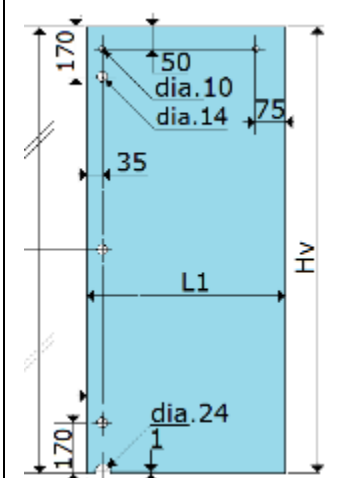
W2 = Od-34
Gh = H-9



W3 ≤ 300
Gh = H-9



W1 = Ow-26-W0
Gh = H-9



Made in France



Easy to maintain



Half-custom and made-to-order



WALK-IN SHOWER



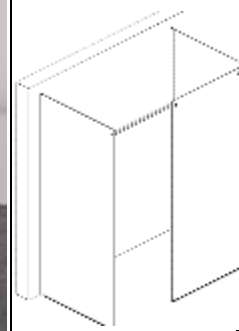
Model: WALK-IN **5**

Short name: **WiM-R-RiN2-Fg-R**

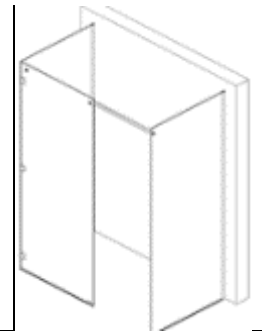
Description:

Where dimensions are sufficient, this wall-mounted fixed shower screen provides a watertight installation.

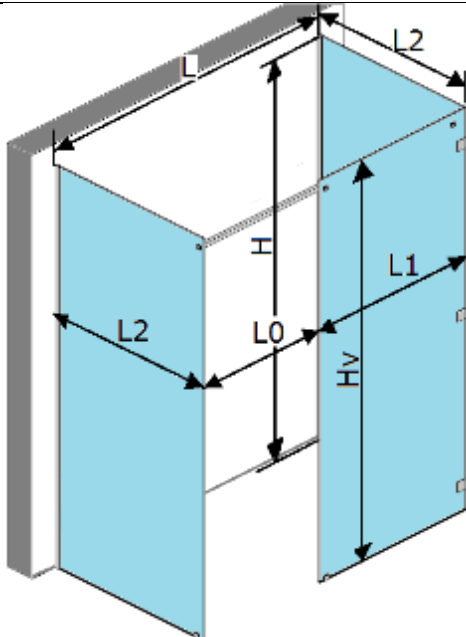
With a clean, sleek design, it is quick and easy to fit. The sections recommended for wall mounting compensate for uneven horizontal and vertical surfaces, with a tolerance of +/-12 mm.



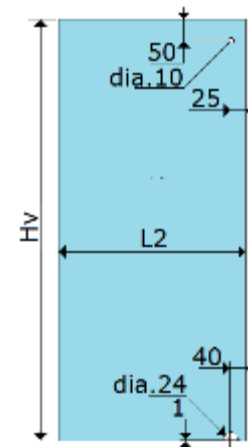
Left
WiM-R-RiN2-Fg-R



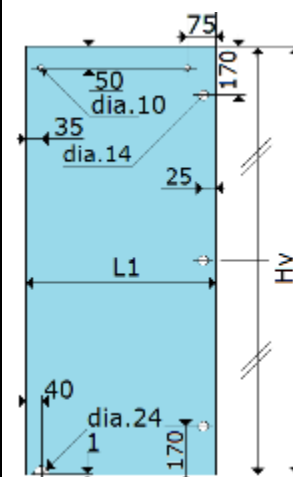
Right
WiM-R-RiN2-Fd-R



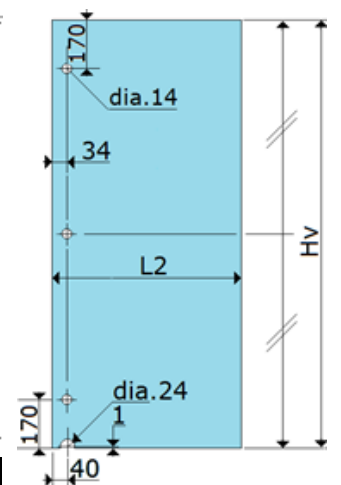
L2 = Od-17
Gh = H-9



W1 = Ow-25-W0
Gh = H-9



L2 = Od-17
Gh = H-9



Made in France



Easy to maintain



Half-custom and made-to-order

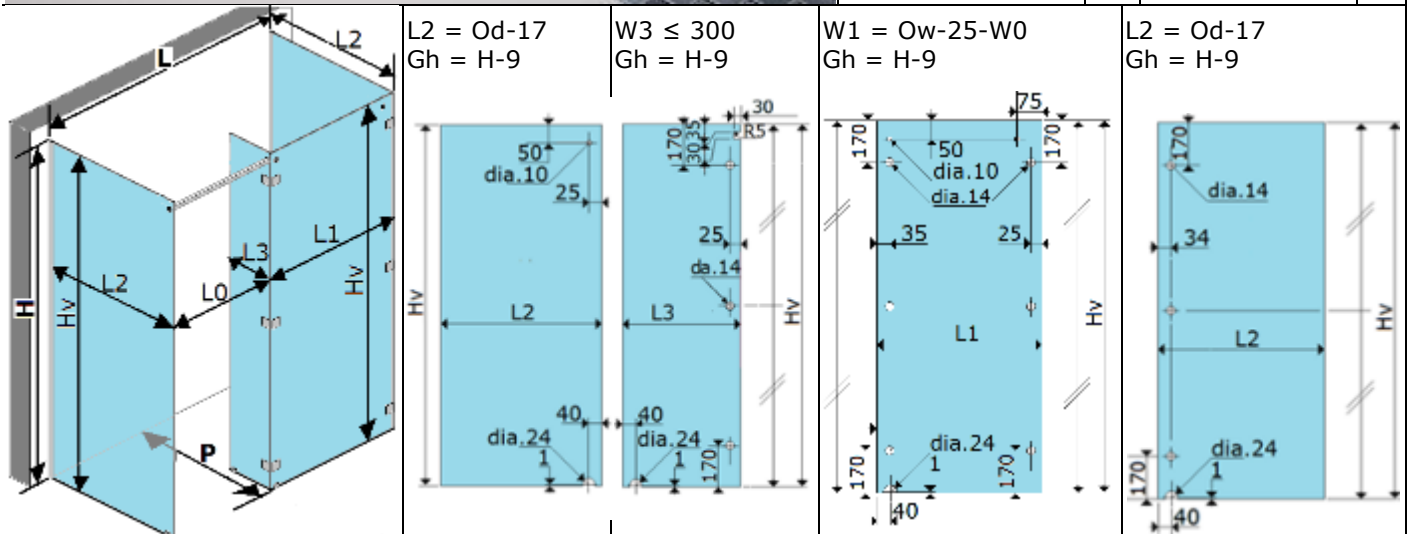
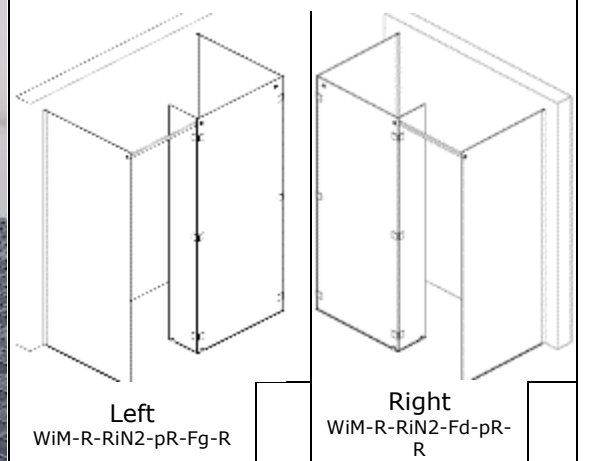




Model: WALK-IN **6**
 Short name: **WiM-R-RiN2-pR-Fg-R**

Description:

This wall-mounted fixed shower screen provides an effective watertight installation. To ensure comfortable, easy access, though, it is best-suited to larger installations. With a clean, sleek design, it is quick and easy to fit. The sections recommended for wall mounting compensate for uneven horizontal and vertical surfaces, with a tolerance of +/- 12 mm.



	Made in France		Easy to maintain		Half-custom and made-to-order		
--	----------------	---	------------------	--	-------------------------------	---	---

WALK-IN SHOWER



Model: WALK-IN **7**

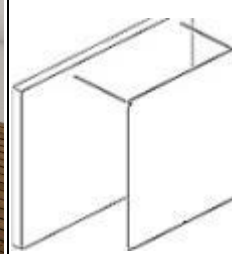
Short name: **WIM-F-2RiN**

Description:

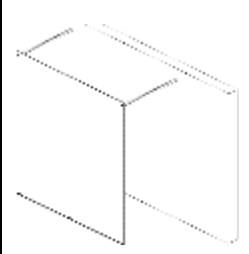
One of the go-to models for fixed shower screens, recommended for use only for shower areas over 1.50 m wide, to minimise the risk of water being sprayed into the rest of the bathroom.

The glass screen is affixed as standard to three points in the floor, using an anti-corrosion metal section to ensure long-lasting mechanical strength and keep the shower watertight. Following Adler's principles for installation, nothing is screwed to the shower tray, but is glued instead.

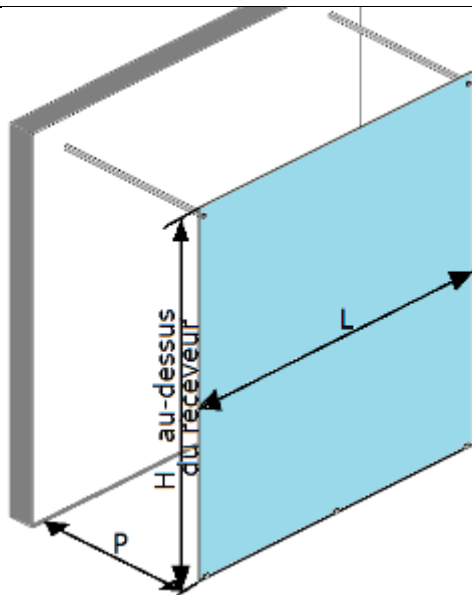
The two support bars – square or cylindrical according to your preference, both with a sleek, pared-down design – ensure that the glass panel is properly affixed to the back wall. The strength of the build is provided by the screw points in the wall.



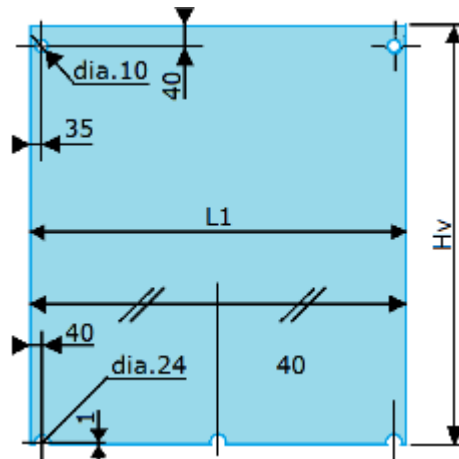
Left



Right



W1 = Ow
Gh = H-9



Glass

- ✓ Patented glass manufacturing technology that prevents surface corrosion. No specific maintenance requirements.
- ✓ Permanent protection with a lifetime warranty

Hardware

Wall sections in high shine chrome plate or anodised brushed stainless steel finish:

- ✓ Correct out-of-plumb and uneven wall surfaces;
- ✓ Secure wall mountings.



Made in France



Easy to maintain



Half-custom and made-to-order





Adler SAS has designed a number of product ranges for use in showers, interior partitioning or frontages. The extreme miniaturisation of the components and their mechanical performance mean that they all have uses beyond their anticipated purpose. Adler SAS staff work hard to bring your creative designs to life by combining all the techniques at their command.

Why not pay us a visit?

- Go to our website: www.adler-sa.fr;
- Or come and see our 350m² showroom at Moussy-le-Neuf, 10 minutes north of Roissy Charles-de-Gaulle airport, outside Paris;

Or contact us:

- By e-mail: admin1@adler-sa.com ;
- By fax: +33-(0)1 6003 6249;
- By telephone: +33-(0)1 6003 6200.

We are happy to discuss a rough sketch of your design at length. If you leave it with us, we can contact you with any questions we may have and with practical suggestions for your installation.

WALK-IN SHOWER



email : commercial@adler-sa.com
www.adler-sa.fr
Tél : +33 (0)1 60 03 62 00 - Fax : +33 (0)1 60 03 62 49
ZA La Barogne - 9 avenue des 22 Arpents - 77230 MOUSSY LE NEUF - FRANCE
SAS au capital de 2 014 000 Euros - RCS Meaux 562 054 957